

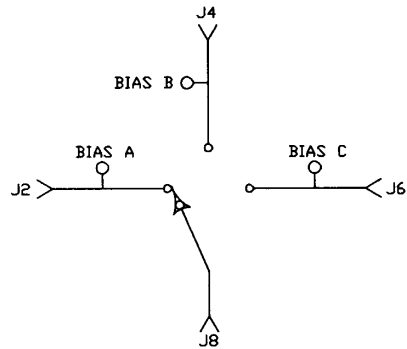
DESCRIPTION

AMC MODEL NUMBER SWN-1140-3DR-STANDARD OPTIONS 218, B08, B01-12V IS A SINGLE POLE THREE THROW, REFLECTIVE SWITCH MODULE WITH LOW INSERTION LOSS, LOW VIDEO TRANSIENT, HIGH SPEED AND INTEGRAL TTL DRIVER, DESIGNED FOR THE 2 GHz TO 18 GHz FREQUENCY BAND.

SPECIFICATIONS:

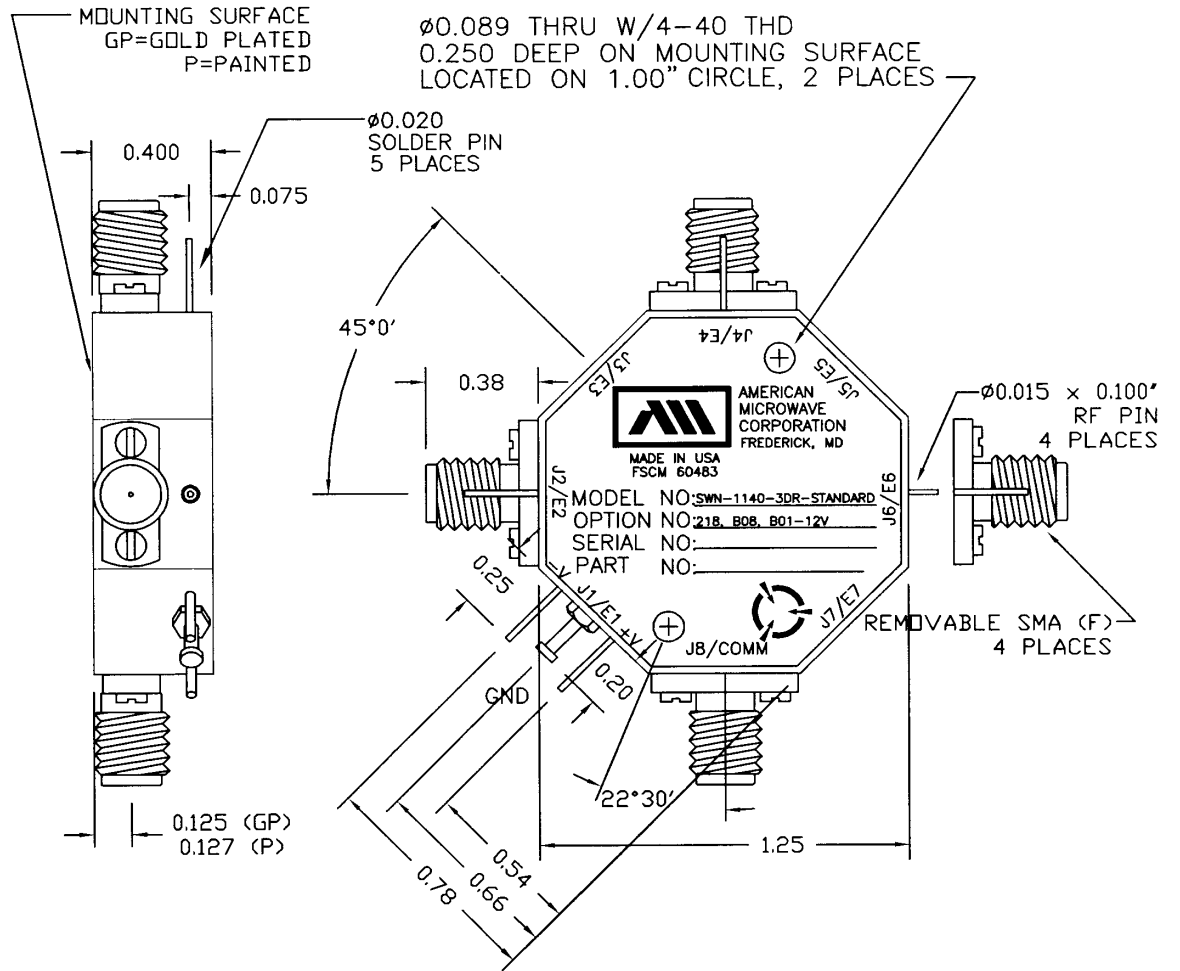
- FREQUENCY: 2 GHz TO 18 GHz
- INSERTION LOSS: 3.5 dB MAXIMUM, 3.0 dB TYPICAL
- ISOLATION: 60 dB MINIMUM, 70 dB TYPICAL
- VSWR: REFLECTIVE IN/OUT: 2.0:1
- SPEED: RISE: 20 ns MAXIMUM (10% RF TO 90% RF)
RISE: 20 ns MAXIMUM (90% RF TO 10% RF)
DELAY ON: 70 ns MAXIMUM (50% TTL TO 90% RF)
DELAY OFF: 70 ns MAXIMUM (50% TTL TO 10% RF)
- POWER INPUT: (CW)+20dBm (STANDARD), +10 dBm (HIGH SPEED)
- SURVIVAL POWER: +1 WATT CW, 10 WATTS PEAK 1 usec
- CONTROL: TTL LOGIC "0"=ON "1"=OFF
- POWER SUPPLY: +5V @ 150 mA MAXIMUM
-12V @ 75 mA MAXIMUM
- SIZE: 1.25" (L) x 1.25" (W) x 0.40" (H)
- WEIGHT: 2.0 oz.

BLOCK DIAGRAM



ZONE		REV.	DESCRIPTION	DATE	APPROVED
		-	ORIGINAL RELEASE, JOB# 007168E	11/06/09	

MECHANICAL OUTLINE



CONFIDENTIAL AND PROPRIETARY

ENVIRONMENTAL RATINGS:

- TEMPERATURE: -55°C TO +85°C (OPERATING)
-65°C TO +125°C (STORAGE)
- HUMIDITY: MIL-STD-202F, METHOD 103B COND. B
- SHOCK: MIL-STD-202F, METHOD 213B COND. B
- VIBRATION: MIL-STD-202F, METHOD 204D COND. B
- ALTITUDE: MIL-STD-202F, METHOD 105C COND. B
- TEMPERATURE CYCLE: MIL-STD-202F, METHOD 107D COND. A

NOTE: THE ABOVE SPECIFICATIONS ARE SUBJECT TO CHANGE OR REVISION

ALL DIMENSIONS ARE IN INCHES
TOLERANCES:
X.XX ±0.020
X.XXX ±0.010

APPROVALS		DATE	AMERICAN MICROWAVE CORPORATION FREDERICK, MARYLAND		
DRAWN		11/06/09	TITLE PRODUCT FEATURE SWN-1140-3DR-STANDARD OPTIONS 218, B08, B01-12V RADIAL SOLID STATE SWITCH		
CHECKED			SIZE	FSCM NO.	DWG NO.
ISSUED			A	60483	100-6839
			SCALE	N/S	SHEET 1 of 3